

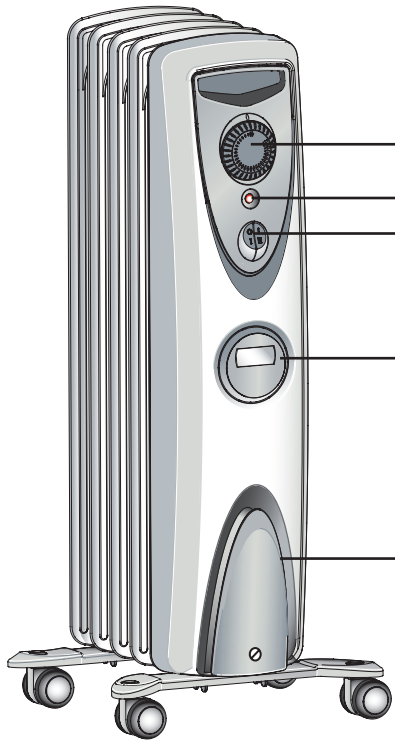
# Dimplex



OFRC10, OFRC15, OFRC20, OFRC25  
OFRC10TI, OFRC15TI, OFRC20TI & OFRC25TI

**THESE INSTRUCTIONS SHOULD BE READ CAREFULLY AND RETAINED FOR FUTURE REFERENCE**  
As with all portable heating appliances - This product is only suitable for well insulated spaces or occasional use

1

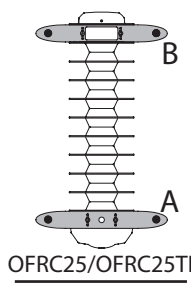
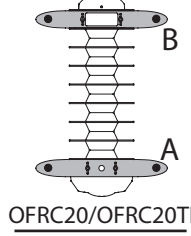
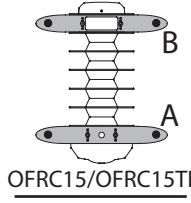
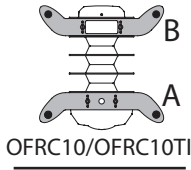
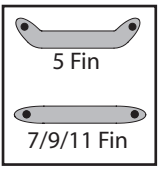


Thermostat } ALL MODELS  
Neon On/Off Heat Switches }

24 Hr Timer ALL TI MODELS ONLY

Cable wrap ALL MODELS

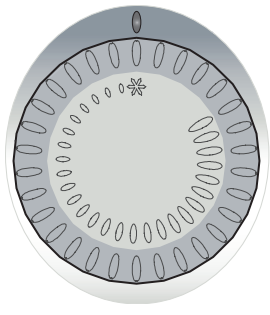
2



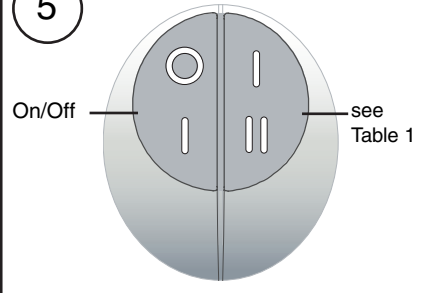
3



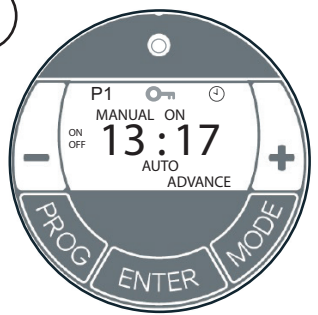
4



5



6



# Dimplex Dry Column Heater

Model	Description	Watts
OFRC10(Ti)	Fin, Thermostat, 2 Heat Settings, Neon, (Electronic Timer)	1000
OFRC15(Ti)	7 Fin, Thermostat, 2 Heat Settings, Neon, (Electronic Timer)	1500
OFRC20(Ti)	9 Fin, Thermostat, 2 Heat Settings, Neon, (Electronic Timer)	2000
OFRC25(Ti)	11 Fin, Thermostat, 2 Heat Settings, Neon, (Electronic Timer)	2500

## Important Safety Advice


**IMPORTANT:** If the appliance is damaged, check immediately with the supplier before installation and operation.

This appliance can be used by children aged from 8 years and above and persons with reduced physical, sensory or mental capabilities or lack of experience or knowledge if they have been given supervision or instruction concerning the use of the appliance in a safe way and understand the hazards involved. Children shall not play with the appliance. Cleaning and user maintenance shall not be made by children without supervision.

Children of less than 3 years should be kept away unless continuously supervised. Children aged from 3 years and less than 8 years shall only switch on/off the appliance provided that it has been placed or installed in its intended normal operating position and they have been given supervision or instruction concerning the use of the appliance in a safe way and understand the hazards involved. Children aged from 3 years and less than 8 years shall not plug in, regulate and clean the appliance or perform user maintenance.

**WARNING:** Do not use the heater in small rooms when they are occupied by persons who are not capable of leaving the room on their own, unless constant supervision is provided.

**CAUTION:** Some parts of this product can become very hot and cause burns. Particular attention has to be given where children and vulnerable people are present.

 This heater carries the warning symbol indicating that it must not be covered.

**DO NOT** use the heater in the immediate surroundings of a bath, a shower or a swimming pool.

**WARNING:** This heater must not be used in a bathroom.

**DO NOT** place the heater directly below a fixed socket outlet.

**WARNING:** In order to avoid overheating, do not cover the heater.

We recommend that you open a window to ventilate the room when using the heater for the first time.

Unplug the heater when not required for long periods.

**IMPORTANT:** If the mains lead of this appliance is damaged, it must be replaced by the manufacturer or its service agent or a similarly qualified person in order to avoid a hazard.

**DO NOT** use the heater where gas, petrol, paint or other inflammable goods are used or stored.  
**WARNING:** To reduce the risk of fire, keep textiles, curtains or any other flammable material a minimum distance of 1m from the air outlet.

Do not use the heater if it has been dropped.

Do not use the heater if there are any visible signs of damage.

The heater should only be used on a horizontal and stable surface with the castors securely fitted.

**DO NOT** use of an extension cord because the extension cord may overheat and cause risk of fire.

## General

The heater is designed for operation on an AC electricity supply, and is suitable for use in domestic dwellings and similar indoor locations.

Always ensure that the appliance is stood on a firm, level base near to, but not directly beneath, a suitable fixed socket outlet.

The heater is fitted with castors and a handle for ease of movement. Selector switches provide a choice of heat output and an adjustable thermostat enables the room temperature to be controlled accordingly. It is supplied with a cord and plug ready for use.

The supply cord should be uncoiled before use (see 'Storage').

DO NOT pull the heater along by the mains lead.

**Important** - The heater must only be operated with the wheels and castors fitted and in the upright position as shown in **Fig. 1**.

Warning – The heater complies with stringent safety standards but to ensure efficient operation **SURFACES OF THE HEATER WILL BECOME HOT AND CONTACT WITH THESE AREAS SHOULD BE AVOIDED**, particularly between the fins on the top and sides.

The control panel area is designed to be at a far lower temperature to allow the safe operation of the controls at any time.

## Electrical

### **WARNING – THIS APPLIANCE MUST BE EARTHED**

If the socket outlets in your home are not of the 13 amp BS1363 type they will not accept the plug connected to this heater, therefore cut off the plug. When cut off this plug can constitute a shock hazard if inserted into a socket outlet. It must therefore be disposed of safely.

Before wiring the appropriate plug please note that the wires in this mains lead are coloured in accordance with the following code:

<b>GREEN/YELLOW:</b>	<b>EARTH</b>
<b>BLUE:</b>	<b>NEUTRAL</b>
<b>BROWN:</b>	<b>LIVE</b>

Connect the Green/Yellow wire to the terminal marked E or the earth symbol or coloured Green or Green/Yellow.

Connect the Brown wire to the terminal marked L or coloured Red.

Connect the Blue wire to the terminal marked N or coloured Black. **DO NOT** connect the Brown (Live) or the Blue (Neutral) wires to the Earth terminal of your 13 amp plug. If the terminals of the plug are unmarked or you are in any doubt, consult a qualified electrician.

## Fitting the castors

Remove the carton containing the castor assemblies from the packing.

Fit the castors to the stub axles by applying hand pressure until each castor clicks into position - see **Fig. 3**. Note that the castors are designed to be a tight fit on the axles but will rotate in use.

The castors can only be fitted between the outer fins (as shown in **Fig. 2**).

Turn the heater upside down on a carpet or other soft surface to avoid damage

### **WARNING: THE HEATER IS HEAVY – ENSURE THAT IT IS SUPPORTED TO PREVENT IT FROM TOPPLING.**

Ask a second person to help with this if necessary. Position castor bracket (see **Fig. 3**) onto the threaded pins on the control panel. Place the winged nut 'C' on the thread and tighten it securely.

Repeat the process for castor bracket 'B' onto the last fin.

Note: The 5 fin column heater models - OFRC10 & OFRC10TI use curved castor brackets and must be fitted as shown in **Fig. 2**.

Lift the heater clear of the floor, then turn it back upright and stand it on its castors as shown in **Fig. 1**. It is now ready for use.

## Positioning the Heater

Select the position for the heater ensuring there is clearance from any furniture and fittings of at least 300mm above the heater and 150mm each side. The heater should only be operated on a flat stable surface.

## Operation

**IMPORTANT** – Objects or clothing must not be placed on this heater. Before using the heater ensure that all warnings and instructions have been read carefully.

To bring the heater into use plug it in. Neon indicating lights located at the controls area will glow when the appliance is plugged into the mains.

## Controls

### Thermostat (see Fig. 4)

The Thermostat (see Fig. 4) controls the heat output according to the room temperature. This ensures that the heater will not produce heat unnecessarily when the room is warm. To set the temperature you require, turn the thermostat knob clockwise until the required setting is reached. Alternatively to heat a cold room quickly, turn the thermostat knob up fully. When the room has reached the desired temperature, turn the thermostat knob anti-clockwise until the thermostat just clicks off. The heater will now automatically operate at this temperature. With the thermostat set to '✳' and the heat selection switch set to the required heat output the appliance switches on automatically when the temperature falls below +5°C to +8°C.

**Note** – Should the heater fail to come on when the thermostat is at a low setting, this may be due to the room temperature being higher than the thermostat setting.

### Heat Selector Switches (see Fig. 5)

Selector switches located on the control panel provide a choice of heat output to suit varying conditions and for economy of operation.

Model	Switch I	Switch II
OFRC10(Ti)	700W	1000W
OFRC15(Ti)	1000W	1500W
OFRC20(Ti)	1400W	2000W
OFRC25(Ti)	1700W	2500W

## Digital Timer Operation (see Fig. 6)

**IMPORTANT:** Remember to observe all safety warnings when operating the heater on auto setting, either attended or unattended.

The timer allows you to select '**AUTO**' or '**MAN ON**' by pressing the '**MODE**' button until the required MODE appears at the bottom of the timer display.

'**AUTO**' MODE allows the heater to switch ON and OFF according to a set 24 Hour program period (see 'Setting Programs' section below).

'**MAN ON**' MODE allows power to the heater uninterrupted by the program settings.

### Key Lock:

If '**ENTER**' and '**MODE**' are pressed within 1 second, the keys will be locked. The user will know the keys are locked as the lock symbol '🔒' will be displayed on the top left hand corner of the screen. To unlock the keypad, press '**ENTER**' and then '**MODE**' within 1 second.

### Initial Operation

For initial use, plug the heater into a regular household power point and turn the power on. The timer is now ready to be set up for use.

### Setting Current Time

1. Hold the '**PROGRAM**' button until the clock symbol ⌚ appears on the screen and the hour digit flashes. The user can now set the clock.
  2. To adjust the hour use the '-' & '+' buttons. Confirm the hour digit by pressing '**ENTER**'.
  3. Once '**ENTER**' has been pressed the minutes will flash. To adjust the minutes use the '-' & '+' buttons. Confirm the minute digit by pressing '**ENTER**'.
  4. The timer now returns to the default display.
  5. To reset incorrect time, repeat previous steps.
- Once the correct time is set, a total of four ON/OFF time programs can be set for operation.

## Setting Programmes

Press the '**PROGRAM**' key to set the programs.

You are now setting the programs starting with P1 'ON'.

### SETTING P1 ON TIME:

1. To set the hour use the '-' & '+' buttons. Confirm the hour digit by pressing '**ENTER**'.

2. To set the minutes use the '-' & '+' buttons. Confirm the minute digit by pressing '**ENTER**'.

Note: The minutes can only be set in 10 minute blocks in programme '**MODE**'.

### SETTING P1 OFF TIME:

3. To set the hour use the '-' & '+' buttons. Confirm the hour digit by pressing '**ENTER**'.

4. To set the minutes use the '-' & '+' buttons. Confirm the minute digit by pressing '**ENTER**'.

Repeat steps 1 to 4 to programme P2, P3 & P4. After programming P4 'OFF' you automatically exit to the default display.

At any time while programming the timer you can press the '**PROGRAM**' button to exit to the default display.

Note: If the 'ON' time is the same as the 'OFF' time the appliance will ignore the program.

## The Advance Function

When in '**AUTO**' MODE, if the '+' button is pressed for longer than 2 seconds the programme will ADVANCE to the next setting programmed and will only revert back to the program when the subsequent programme time is reached. When the '**ADVANCE**' function is running the '**ADVANCE**' segment will be displayed on the LCD screen. If the '-' button is pressed when the '**ADVANCE**' programme is running the '**ADVANCE**' feature will be automatically cancelled and the programme will run as normal.

**Note - Timer Memory Back Up Batteries** - Once the heater has been left plugged in with the socket switched on for at least 72 hours the timer's memory back up batteries will be fully charged.

Once the timer batteries are fully charged, if there is a power cut or if the heater is disconnected from the mains for less than six months, then the timer will continue to keep time & the settings in the memory will remain intact.

If however the timer back up batteries have not been charged fully, or if the heater is deprived of power for longer than six months, then the time and the programme settings are likely to be lost and you may therefore need to reset the time and the programme before using the AUTO MODE again.

## Storage

If the heater is not required for long periods, for example during the summer, it should be stored in a dry place and preferably covered to prevent the accumulation of dirt and dust. The supply cord should be neatly coiled around the cable wrap (see **Fig. 1**) ensuring that the plug does not trail on the floor.

## IMPORTANT

The heater must be kept plugged in at the mains to retain the time and the programmed settings. If unplugged from the mains, resetting the time and the programmed settings will be necessary.

## Cleaning

### **WARNING - ALWAYS DISCONNECT THE POWER SUPPLY BEFORE CLEANING THE HEATER.**

Do not use detergents, abrasive cleaning powder or polish of any kind on the body of the heater.

Allow the heater to cool, then wipe with a dry cloth to remove dust and a damp cloth (not wet) to clean off stains. Be careful not to allow moisture in to the heater.

## Recycling



For electrical products sold within the European Community.

At the end of the electrical products useful life it should not be disposed of with household waste.

Please recycle where facilities exist. Check with your Local Authority or retailer for recycling advice in your country.

## After Sales Service and Guarantee terms and conditions

Your product is guaranteed for 3 years from the date of purchase. If you experience a problem with our Dimplex product, which is found to be defective due to faulty materials or workmanship within the Guarantee Period, this Dimplex Guarantee will cover repair or - at the discretion of Dimplex- replacement with a functionally equivalent Dimplex product.

Within the guarantee period we undertake to repair or exchange this product free of charge providing:

a) Proof of purchase such as a sales receipt should be provided, showing that the appliance was bought within the 36-months prior to registering the defect/fault.

b) The appliance was correctly installed and operated in accordance with the manufacturer's instructions and used solely for domestic purposes.

c) The defect/fault was not as a result of accident, misuse, unauthorised modification or inexpert repair

Your rights under this guarantee are additional to your statutory rights, which in turn are not affected by this guarantee.

If after following these steps your product still does not operate you should return it to your point of purchase. Please do not return a faulty product to us as this may result in loss or damage and delay in providing you with a satisfactory service.

Please retain your receipt as proof of purchase.

## What is not covered by a Dimplex Guarantee?

The Dimplex Guarantee does not cover any of the following: Any fault or damage to your Dimplex product due to faulty materials or workmanship occurring outside the [three year] Guarantee Period.

Normal wear and tear including parts that might wear out over time or consumables, such as [filters].

Any fault or damage occurring to any pre-owned Dimplex product or to any other equipment or property.

Accidental damage to your Dimplex product or damage to your Dimplex product from external sources (for example, transit, weather, electrical outages or power surges).

Fault or damage to your Dimplex product which is:

- not due to faulty materials or workmanship or which is due to circumstances outside Dimplex's control.
- caused by use of your Dimplex product for anything other than normal domestic household purposes in the country where it was purchased.
- caused by any misuse, abuse or negligent use of the Dimplex product, including but not limited to any failure to use it in accordance with the Operating Instructions supplied with the product.
- caused by any failure to assemble, install clean and maintain your Dimplex product in accordance with the Operating Instructions supplied with the product unless this was carried out by Dimplex or its authorised dealers.
- caused by repairs or alterations to your Dimplex product not carried out by Dimplex service personnel or its authorised dealer(s).

## Terms and Conditions

The Dimplex Guarantee is valid for three calendar years from the date of purchase of your Dimplex product from a recognised retailer in the country of purchase and use, or the date of delivery of the product if later, always provided the original receipt has been retained and is produced as proof of purchase.

You must provide to Dimplex or its authorised agents on request the original receipt as proof of purchase and - if required by Dimplex - proof of delivery. If you are unable to provide this documentation, you will be required to pay for any repair work required.

Any repair work under the Dimplex Guarantee will be carried out by Dimplex or its authorised dealer(s) and any parts that are replaced will become the property of Dimplex. Any repairs performed under the Dimplex Guarantee will not extend the Guarantee Period.

Any replacement of your Dimplex product by Dimplex during the Guarantee Period will start the three-year Guarantee Period afresh from the date of delivery of the replacement Dimplex product to you.

The Dimplex Guarantee does not entitle you to recovery of any indirect or consequential loss or damage including but not limited to loss or damage to any other property.

The Dimplex Guarantee is in addition to your statutory rights as a consumer and your statutory rights are not affected by this Dimplex Guarantee.

## Contact Dimplex

If you have any questions about what the Dimplex Guarantee covers and does not cover or how to claim under the Dimplex Guarantee, please contact us:

GDC Group LTD, Millbrook House, Grange Drive, Hedge End, Southampton SO30 2DF

Telephone: 0844 879 3588

Email: [customer.services@gdcgroup.co.uk](mailto:customer.services@gdcgroup.co.uk)

Visit: [www.gdcgroup.co.uk](http://www.gdcgroup.co.uk)

Model Identifier(s):		OFRC10(Ti)	OFRC15(Ti)	OFRC20(Ti)	OFRC25(Ti)	
<b>Heat output</b>						
Nominal heat output	P <sub>nom</sub>	1.0	1.5	2.0	2.5	kW
Minimum heat output (indicative)	P <sub>min</sub>	0.7	1.0	1.4	1.7	kW
Maximum continuous heat output	P <sub>max,c</sub>	1.0	1.5	2.0	2.5	kW
<b>Auxiliary electricity Consumption</b>						
At nominal heat output	e <sub>lmax</sub>	0.0	0.0	0.0	0.0	kW
At minimum heat output	e <sub>lmin</sub>	0.0	0.0	0.0	0.0	kW
In standby mode	e <sub>lSB</sub>	0.0	0.0	0.0	0.0	kW
<b>Type of heat output/ room temperature control</b>						
With mechanical thermostat room temperature control		Yes	Yes	Yes	Yes	
Contact details	GDHV, Millbrook House, Grange Drive, Hedge End, Southampton, SO30 2DF					